

SH3 Series

Hardware Manual

Warning:

This device has been tested, certified by CE-EMC, and complies with the limits for a Class B digital device, pursuant to Part 15 of the FCC Rules. These limits are designed to provide reasonable protection against harmful interference when the device is operated in a commercial environment. This device generates, uses, and can radiate radio frequency energy and, if not installed and used in accordance with the instruction manual, may cause harmful interference to radio communications. In this case, the user will be required to correct the interference at their own expense.

Note:

Changes or modifications not expressly approved by the party responsible for compliance could void the user's authority to operate the device.

The copyright of this manual is held by SHENZHEN SINCEVISION TECHNOLOGY CO., LTD.

The product specifications and manual content are subject to change without prior notice.

We do not assume any responsibility for the results of using our product or applying this manual to any operation.

Introduction

Thank you for purchasing SSZN high-speed camera system "**SH3 series**" (hereinafter referred to as the System).

This manual contains the operating instructions and warnings required to use the System. Before using the System, please read the entire manual. If there are any unclear information in this manual, please contact SSZN using the contact information printed on the back of the manual.

After reading the manual, please store it associated with the warranty card in a safe place and review it if necessary.

Overview of the manual

- Introduction

This chapter provides an overview of the manual and safety precautions.

- **Chapter 1** - Settings

This chapter provides an overview of the various components that make up the system.

- **Chapter 2** - Specification

This chapter provides an overview of the system's specifications.

- **Chapter 3** - Warranty





This chapter provides an overview of warranty.

- **Chapter 4** - Contact SSZN

This chapter lists the contact information that should be used to contact SSZN when there is a system malfunction or when certain parts of the manual are unclear.

Symbols

The symbols used in this manual have the following meanings.

Icons / Symbols	Description
 IMPORTANT	This symbol indicates what should always be read.
 CAUTION	This symbol indicates instructions that should always be followed when using the software, or things to keep in mind when using the software.
 NOTE	This symbol indicates something that requires additional attention when using the system.
 REFERENCE	This symbol indicates the reference position.
" "	This quotation mark is used to indicate the name of the item on the screen, the reference, the dialog box name and the connector.
[]	This square bracket is used to indicate a menu name or a sub-menu name.

Safety and Proper Usage Instructions

To avoid harm to yourself and others, as well as damage to property, please carefully follow the following safety precautions.

SSZN has given full attention to the security of this system. However, ignoring the content of safety precautions and using this system incorrectly may result in potential losses and injuries, which will be explained below. Please pay careful attention to the safety precautions when using this system.

**Warning**

This symbol represents actions that may cause harm to people. Serious injury.

**Attention**

This symbol represents actions that may cause harm to people. May cause moderate injury or damage to physical property.

- The safety precautions to be followed are indicated by the following symbols.



The symbol indicates the need for cautious action.



The symbol indicates that attention must be paid.



The symbol indicates actions that are prohibited and must be avoided.



Warning

- Do not do anything that will damage the cable or plug.
(Do not damage the cable, do not modify the cable, do not use the cable near the heater, do not excessively bend, twist or pull the cable, do not place heavy objects on the cable, and do not bind the cable).
Using damaged cables may lead to fire, electric shock, or short circuits.
- Do not use power sources that exceed the rated value for power supply.
Exceeding the rated power may cause a fire due to overheating.
- Do not insert metal objects into the system or pour liquids such as water into the system.
To prevent fire, electric shock, or malfunctions caused by short circuits or heating.
- Do not disassemble or modify the system.
There is high voltage in the system, which may cause electric shock.
- Do not touch any conductive object with your hands when inserting or removing the power cord.
It may cause electric shock.
- Ensure that the power plug is fully inserted into the socket.
Not fully plugging in the power cord may cause a fire due to electric shock or heat.
- When there is a problem with the system, the power cord should be immediately unplugged.
 - When foreign substances or liquids, such as metals or water, enter the system.
 - When the outer box is damaged, such as due to falling.
 - When the system emits smoke, strange odors, or strange sounds.
Using the system in these situations may lead to fire or electric shock.
- Do not use accessories for purposes not specified by the manufacturer.
It may cause damage to camera components of the system.



Notes

- When cleaning the system or not in use for a long time, be sure to unplug the power cord.

Connecting or keeping the system to a power source may cause a fire due to a decrease in insulation performance and discharge.

- When you are using laser or direct light, please consult us in advance.

- Do not place the system in areas with extremely high temperatures.

It may cause changes in the properties of the casing or internal components or cause a fire.

- Do not place the system in areas that are prone to producing oil fumes or steam, or in areas with a large amount of dust.

Oil, moisture, and dust can conduct electricity and may cause fire or electric shock.

- Work environment requirements: temperature $-10\sim 50\text{ }^{\circ}\text{C}$, humidity $\leq 95\%$ RH, altitude ≤ 2000 meters, no icing, no condensation.

Using the system beyond the above limits may cause malfunctions.

- Storage environment requirements: temperature $-20\sim 60\text{ }^{\circ}\text{C}$, no condensation.

- During transporting, please remove the connecting cable and use the original packaging or a dedicated suitcase.

Do not transport the system in environments with temperatures below $-20\text{ }^{\circ}\text{C}$ or above $60\text{ }^{\circ}\text{C}$. Additionally, it is important to prevent the condensation during transportation.

Electrostatic discharge (ESD) events may cause direct and irreversible damage to image sensors.

Please refer to the



Clean the Surface of the Image Sensor

face of the image sensor.



- Always take appropriate anti-static precautions when cleaning or working near image sensors.
- Do not use any form of cleaning tools that uses electrostatic or "charged fiber" technology.
- Before working near the camera sensor, please release any static electricity accumulation in your body by touching the grounded metal surface.
- Please clean the dust on the surface of the image sensor in a dry environment.



- To remove stubborn pollution, use pure Isopropyl Alcohol (IPA) in the highest grade (such as in VLSI grade) and an optical wiping cloth in "dust-free room" grade.
- Special care must be taken by gently wiping the entire sensor in one go.
- Do not rub to avoid abrasive damage to the fragile optical coating on the glass surface.

Contents	
HARDWARE MANUAL	1
Introduction	2
Instruction Manual	3
Symbols	4
Safety and Proper Usage Instructions	5
Contents	9
Chapter 1 Settings	10
1.1. The Components and Accessories of the System	11
1.2.1. Components	11
1.2.2. Accessories	11
1.2. Component Name	12
1.2.1 Camera body	12
1.2.2 Name of Camera Parts	13
1.2.3 Accessory Lens Mount Adapter	14
1.2.4 The Status Indicator LED on the Back of the Camera	15
1.2.5 Power Input Interface	17
1.2.6 Ethernet Interface	18
1.3. Input/output Signal Type	19
1.3.1 IRIG-IN Input Interface	19
1.3.2 INPUT 1, 2, 3 Input Interface	20
1.3.3 OUTPUT 1, 2, Output Interface	22
1.3.4 Input/output Circuit Diagram	23
1.3.5 Input/output and Synchronous Output Parameter Settings	24
1.4. Device Connection	26
1.4.1 The Least Device Connection	26
1.4.2 Connecting AC Power Supply	27
Chapter 2 Specifications	28
2.1. Specifications	29
2.1.1. Camera Type and Specifications	29
2.1.2. AC/DC Adapter	37
2.2. Dimensions	38
2. 2. 1. Dimensions of the Camera	38
2. 2. 2. Dimensions of the AC Power Supply Device	39
Chapter 3 Warranty	40
3.1. About Warranty	41
Chapter 4 Contact SSZN	42
4.1. Contact Information	43

1

Chapter 1 Settings

This chapter provides an overview of the various components that make up the system.

1.1. The Components and Accessories of the System

1.2.1. Components

Please refer to the attached packaging list for the standard components and accessories of this product.



NOTE

This system does not include a lens.

1.2.2. Accessories

The system has the following accessories.

1. Dedicated suitcase
2. Network cables and power adapter
3. DAQ options
4. USB flash drive (FastPhoto software installation package and related manuals)



NOTE

Lens, lighting equipment, and other types of options are available. Please contact our sales representative or distributor. Please refer to "4.1 Contact Information".



Only use the components and accessories specified in "1.1 The Components and Accessories of the System", such as AC power adapters/AC cables, and others.

1.2. Component Name

The system consists of components such as the camera, power adapter, and SSZN FastPhoto control software.

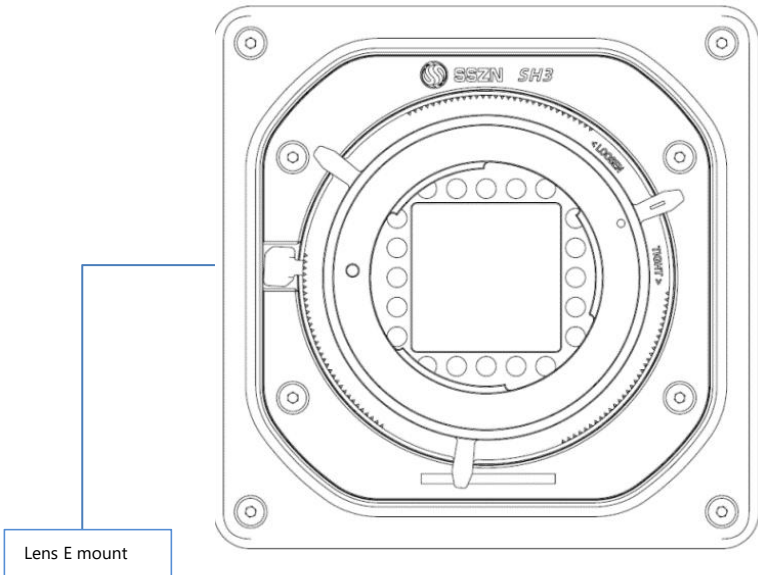


Cautions for camera and AC power adapter

- Do not expose the camera, AC power adapter, and other optional components to impact.
- Do not use in areas with flammable gases or dust.
- Do not place it in unstable places, such as unstable platforms or slopes.
- Do not disassemble or modify the product.
- Do not expose the products to liquids such as water.

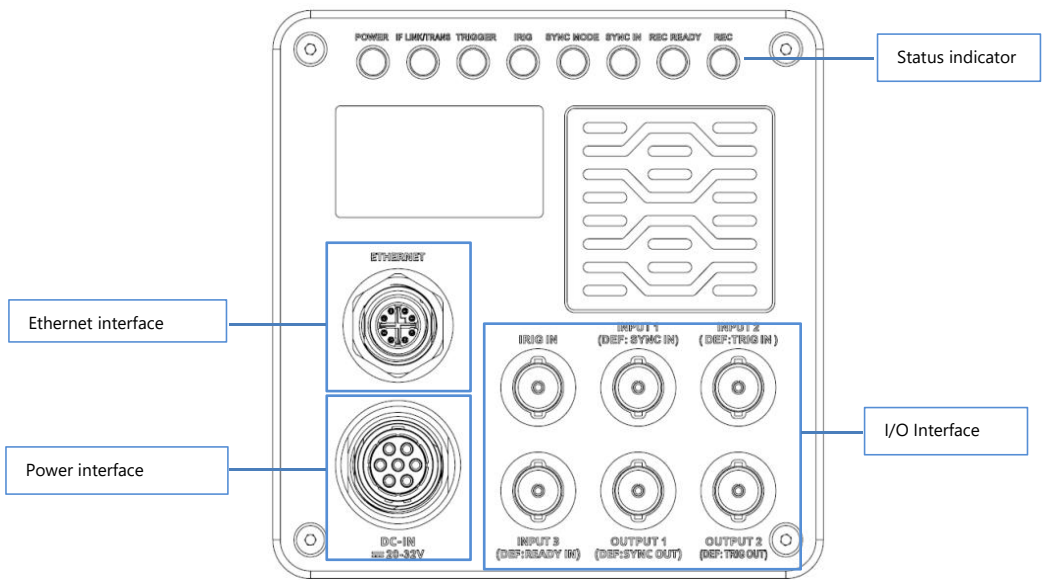
1.2.1 Camera body

The camera body contains an IC memory for image recording and is designed to record uncompressed high-speed images. Gigabit/10G Ethernet interface, allowing for comprehensive control and data download of cameras through connection to a PC; Input/output connector, including external synchronous input/output signals, trigger input/output signals, and IRIG-B code (AC) input interface.



1.2.2 Name of Camera Parts

Front



Back

1.2.3 Accessory Lens Mount Adapter

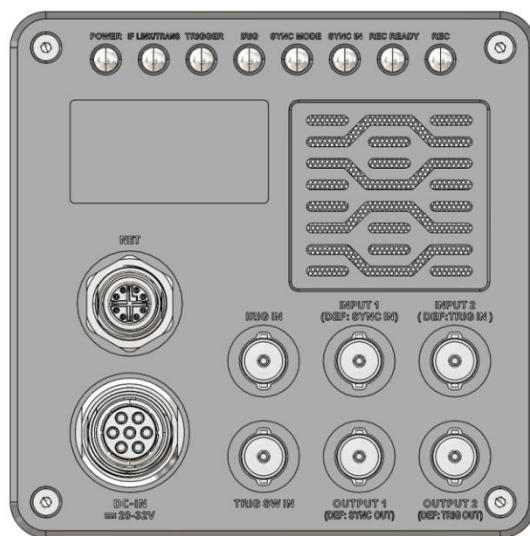
The lens of this camera has an E-mount, and the lens mount on the interface camera can use an adapter (such as E-to-F or E-to-C mount) according to the shooting purpose.



F-E Mount Adapter

1.2.4 The Status Indicator LED on the Back of the Camera

There are three indicator LEDs behind the camera. These LEDs display the status of the camera.



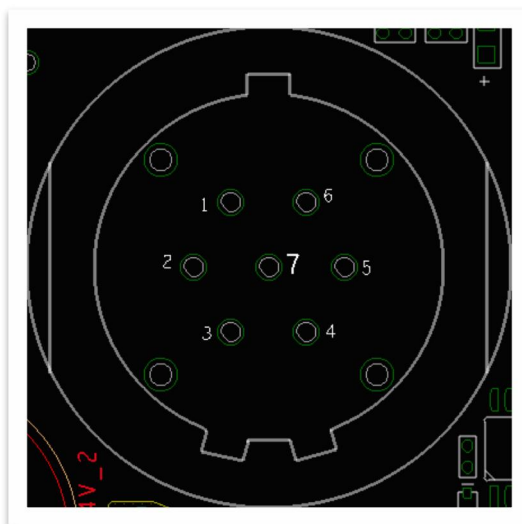
Function	LED Behavior	Status
POWER (Power supply)	On	Power on
	Off	Input voltage too low or faulty
NET (Ethernet)	On	Connected network cable
	Off	Not connected to network cable
TRIGGER (Trigger Output)	On (Flashing once)	Flashing once when the camera has triggered an output
	Off	No trigger output
IRIG (Time code input)	On	The timing device is connected to the IRIG IN interface and receives a signal from the IRIG-B code (AC).
	Off	The signal of IRIG-B code (AC) is not received.
SYNC MODE	On	The camera is set to external sync. mode.
	Off	The camera is set to internal sync. mode.
SYNC IN (Sync. input)	On	The pulse signal of synchronous input is received, and the frequency of the signal is within the current frame rate range of the camera.
	Off	The synchronous input pulse signal is not received, or the frequency of the signal exceeds the frame rate range of the camera.
REC READY (Recording ready)	On	The camera enters the ready state.
	Off	The camera is not in the ready state.

REC	On	The camera enters the recording state.
(Recording)	Off	The camera has not entered the recording state.

1.2.5 Power Input Interface

The camera power input interface can be connected with the AC power adapter in the product accessories or with a DC power supply (such as a UPS power pack).

When using other power sources, please strictly refer to the pin diagram below to construct the cable.



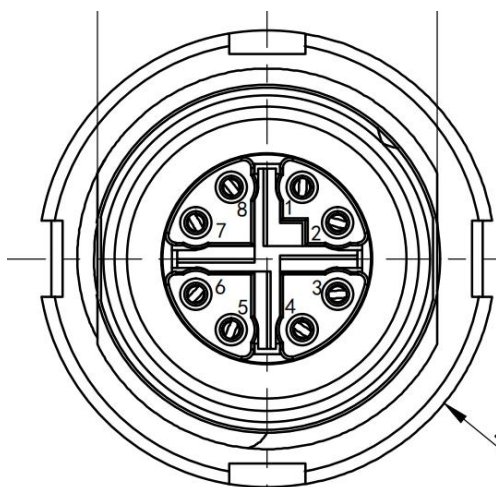
PIN NO.	Name	Input/Output	Description	Remark
1-3	DC24V IN	Input	DC +24V Input	
4-6	DC_GND	Input	DC +24V Ground Loop	
7	NC	/	Not connected	

Power supply voltage: DC20~32V

Power consumption: About 35W for the version without SSD

1.2.6 Ethernet Interface

The network interface of the camera end is X-code cnt12-m12-Z08X09W-Model



PIN NO.	Name	Input/Output	Description	Remark
1	TRX0+	Input		
2	TRX0-	Input		
3	TRX1+	Input		
4	TRX1-	Input		
5	TRX2+	Input		
6	TRX2-	Input		
7	TRX3+	Input		
8	TRX3-	Input		

The wiring method of the cable in the accessories is as follows:

Wiring method				
Signal	Core wire	A end 8 pin aviation plug	Core wire color	B end RJ45 plug (T-568B)
TRX0+	23AWG, copper core, white-orange, stranded	1	White-orange	1
TRX0-	23AWG, copper core, orange, stranded	2	orange-orange	2
TRX1+	23AWG, copper core, white-green, stranded	3	White-green	3
TRX1-	23AWG, copper core, green, stranded	4	Green	6
TRX2+	23AWG, copper core, blue, stranded	7	Blue	4
TRX2-	23AWG, copper core, white-blue stranded	8	White-blue	5
TRX3+	23AWG, copper core, white-brown, stranded	5	White-brown	7
TRX3-	23AWG, copper core, brown, stranded	6	Brown	8
	Braided shield and foil shield	Outer case	Braided shield and foil shield are connected respectively at A end and B end	Outer case

1.3. Input/output Signal Type

This camera can input and output through I/O cables, and the signals that can be input and output from the I/O cables are as follows.



Do not input signals other than the specified ones into each connector.

Be particularly careful when using, as there is a risk of damage to both input and output devices.

The following are I/O connectors and related signals.



REFERENCE

Please refer to "10.4 I/O Settings" in the "FastPhoto User Manual" for detailed settings.

1.3.1 IRIG-IN Input Interface

Function: IRIG-IN signal input

Interface type: BNC connector

IRIG IN input	<p>Signal logic level: 3~10Vpp, input impedance of approximately 110ohm, isolated transformer input,</p> <p>Code format: IRIG-B (122) simulation</p> <p>Tag to Space Ratio: 3:1 to 6:1</p> <p>Typical modulation/carrier signal ratio: 10:1</p>
	<p>Function:</p> <p>The system supports the input of IRIG-B code, and IRIG time code can be added to each frame record.</p>



NOTE

- The IRIG time code is used to synchronize the camera with external devices in time. This is a very practical feature when the device is physically separated.
- When inputting the IRIG code, "IRIG" will display on the right of the current time, and if not, it is the system time.

1.3.2 INPUT 1, 2, 3 Input Interface

The following describes the effects when inputting signals, which can be selected and set. The input voltage is 0V to +5V (+3.3V to +5V for high logic level), and the positive and negative pulse width is 100ns or greater.

The default settings are that the INPUT1 connector is designated as "SYNC POS", the INPUT2 connector is designated as "TRIG POS", and the INPUT3 connector is designated as "READY POS".

Menu display	Function	Signal (Input signal conditions)
SYNC POS	Input a positive polarity trigger signal Control the input signal of the camera frame triggering (Note: it needs to be set to "External" in the trigger settings)	FET input 0V to +5V (+3.3V to +5V for high logic level), positive polarity
SYNC NEG	Input a negative polarity trigger signal Control the input signal of the camera frame triggering (Note: it needs to be set to "External" in the trigger settings)	FET input 0V to +5V (+3.3V to +5V for high logic level), negative polarity
TRIG POS	Input a positive polarity trigger signal Control the signal for the camera to enter recording from ready state.	FET input 0V to +5V (+3.3V to +5V for high logic level), positive polarity
TRIG NEG	Input a negative polarity trigger signal Control the signal for the camera to enter recording from ready state.	FET input 0V to +5V (+3.3V to +5V for high logic level), negative polarity
READY POS	Input a positive polarity READY signal. Control the signal for the camera to enter Ready state.	FET input 0V to +5V (+3.3V to +5V for high logic level), positive polarity
READY NEG	Input a negative polarity READY signal. Control the signal for the camera to enter Ready state.	FET input 0V to +5V (+3.3V to +5V for high logic level), negative polarity
IRIG DC	Input a standard IRIG-B (DC) digital signal The IRIG-B (B002/B122) DCLS signal can add an IRIG code to each frame of	FET input 0V to +5V (+3.3V to +5V for high logic level), positive polarity

	the recorded image.	
--	---------------------	--

1.3.3 OUTPUT 1, 2, Output Interface

Standard BNC connector, output voltage from 0V to +5V, positive and negative polarity, pulse width can be changed, minimum 100ns.

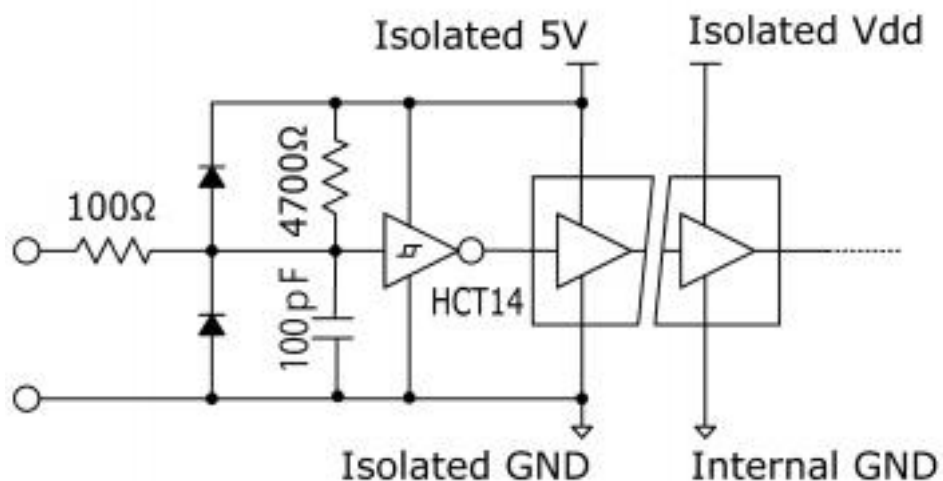
The default settings are "SYNC POS" for OUTPUT1 and "TRIG POS" for OUTPUT2.

The output signal effect is described as follows:

Menu display	Function	Signal (Input signal conditions)
SYNC POS	Output a positive polarity sync. signal. The frequency of this signal is equal to the frame rate of the camera.	Signal logic level: CMOS Level, 5V
SYNC NEG	Output a negative polarity sync. signal. The frequency of this signal is equal to the frame rate of the camera.	Signal logic level: CMOS Level, 5V
TRIG POS	Output a positive polarity trigger signal. The camera enters recording output signal from Ready.	Signal logic level: CMOS Level, 5V
TRIG NEG	Output a negative polarity trigger signal. The camera enters recording output signal from Ready.	Signal logic level: CMOS Level, 5V
READY POS	Output a positive polarity READY signal. Output signal when the camera is ready.	Signal logic level: CMOS Level, 5V
READY NEG	Output a negative polarity READY signal. Output signal when the camera is ready.	Signal logic level: CMOS Level, 5V
IRIG DC	IRIG-B DCLS signal output (this signal can only reproduce IRIG-B code signals, and the camera itself cannot generate such a signal) IRIG-B (B002/B122)	Signal logic level: CMOS Level, 5V
EPO POS	Output a positive polarity signal. Camera frame trigger output signal (pulse width controlled by shutter).	Signal logic level: CMOS Level, 5V
EPO NEG	Output a negative polarity signal. Camera frame trigger output signal (pulse width controlled by shutter).	Signal logic level: CMOS Level, 5V

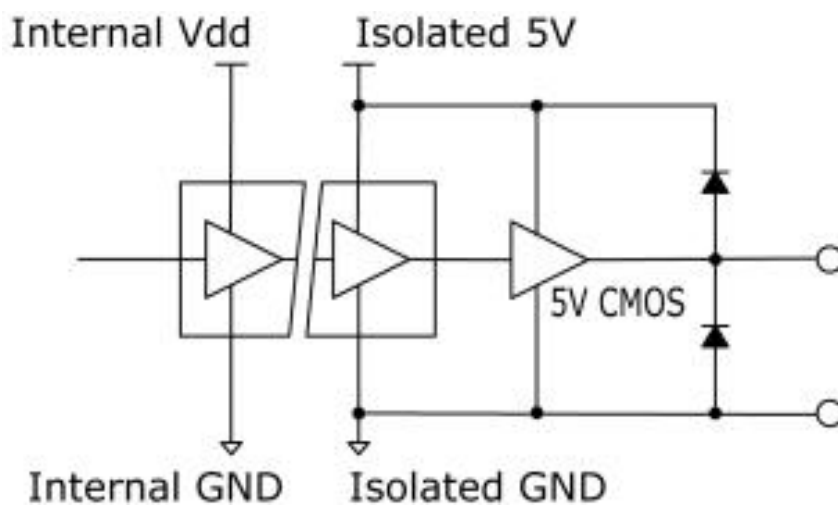
1.3.4 Input/output Circuit Diagram

INPUT:



Supports TTL signal, 5V pull-up resistor 4700 Ω , low logic level: -0.5 to +0.5V, high logic level: 3.5 to 5V.

OUTPUT:



5V CMOS, low logic level below 0.5V, high logic level above 3.5V, current $\leq \pm 4\text{mA}$, default to high logic level output, with polarity reversal function.

1.3.5 Input/output and Synchronous Output Parameter Settings

Through this system, you can set signal delay time (filtering) or pulse width for various input and output signals.

For detailed settings, please set the parameters in the FASTPHOTO software - IO settings.

Input filtering

Set filter input pulse width for each INPUT (1,2,3) interface, with a range of 0-6553.5 μ s

TRIG OUT settings

Output mode:

Center: Record the signal at the center output of the next frame.

Through: Immediately output the signal

Ready And Trigger: This signal will be output when entering Ready and Recording.

Delay: Starting from the current trigger frame, a delay can be set to output the recording signal.

Delay: Only effective when the output mode is Delay, with a range of 0-6553.5 μ s.

Pulse width: Set the output pulse width, ranging from 0 to 6553.5 μ s.

SYNC OUT settings

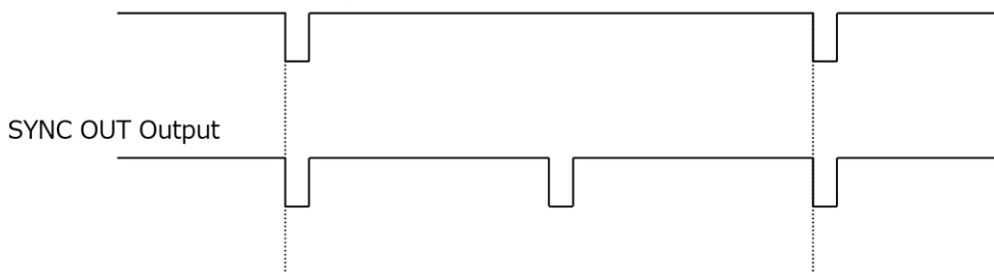
Multiplication: Set the square wave signal multiplication frequency of SYNC OUT, with a range of 0.5, 1, 2, 4, 8.

Delay: Output signal delay range, between 0-1/frame.

Pulse width: The output pulse width, ranging from 0 to 1/frame.

For a frame rate of 1000 frames, the multiplication is set to 2.

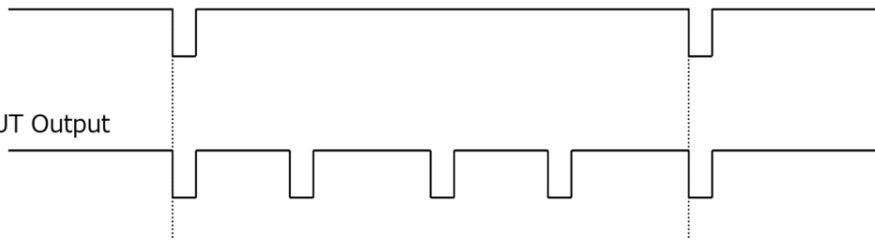
1,000 fps Synchronization Signal



For a frame rate of 1000 frames, the synchronous output rate is set to 4.

1,000 fps Synchronization Signal

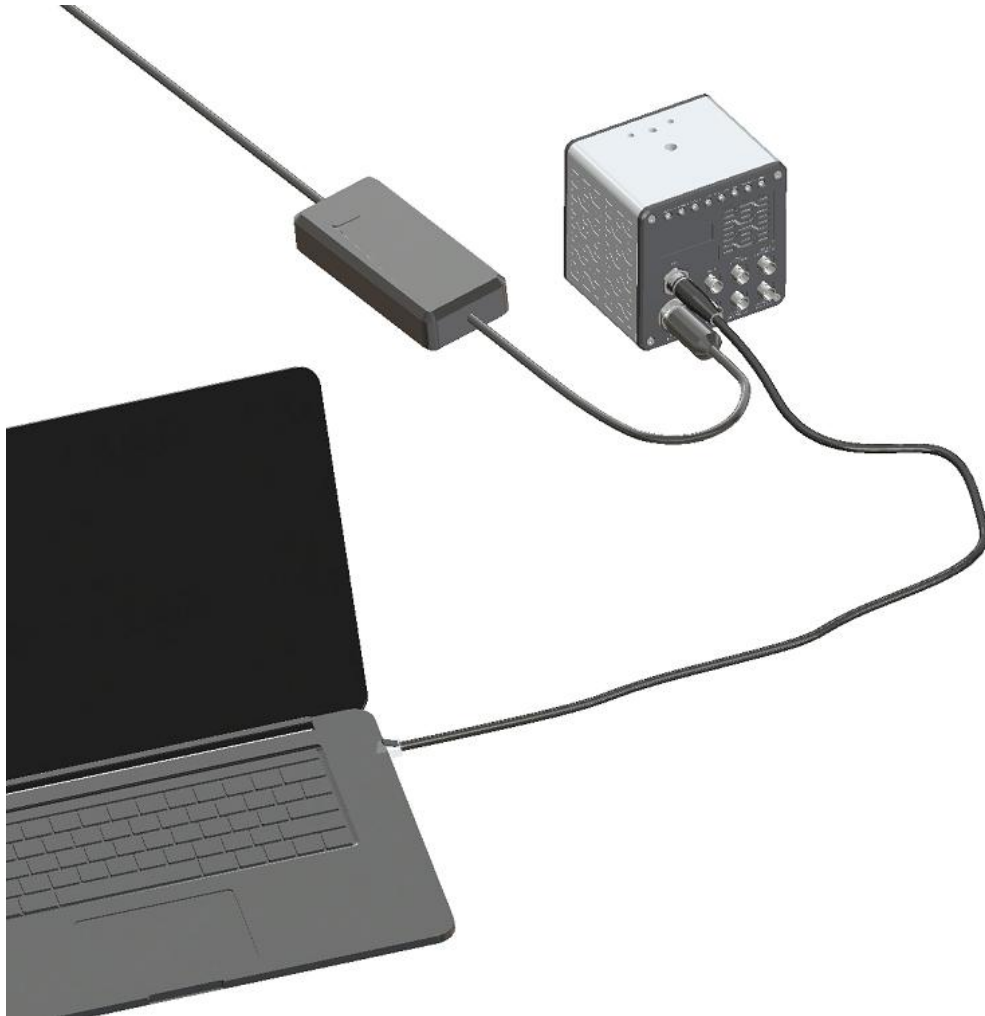
SYNC OUT Output



1.4. Device Connection

1.4.1 The Least Device Connection

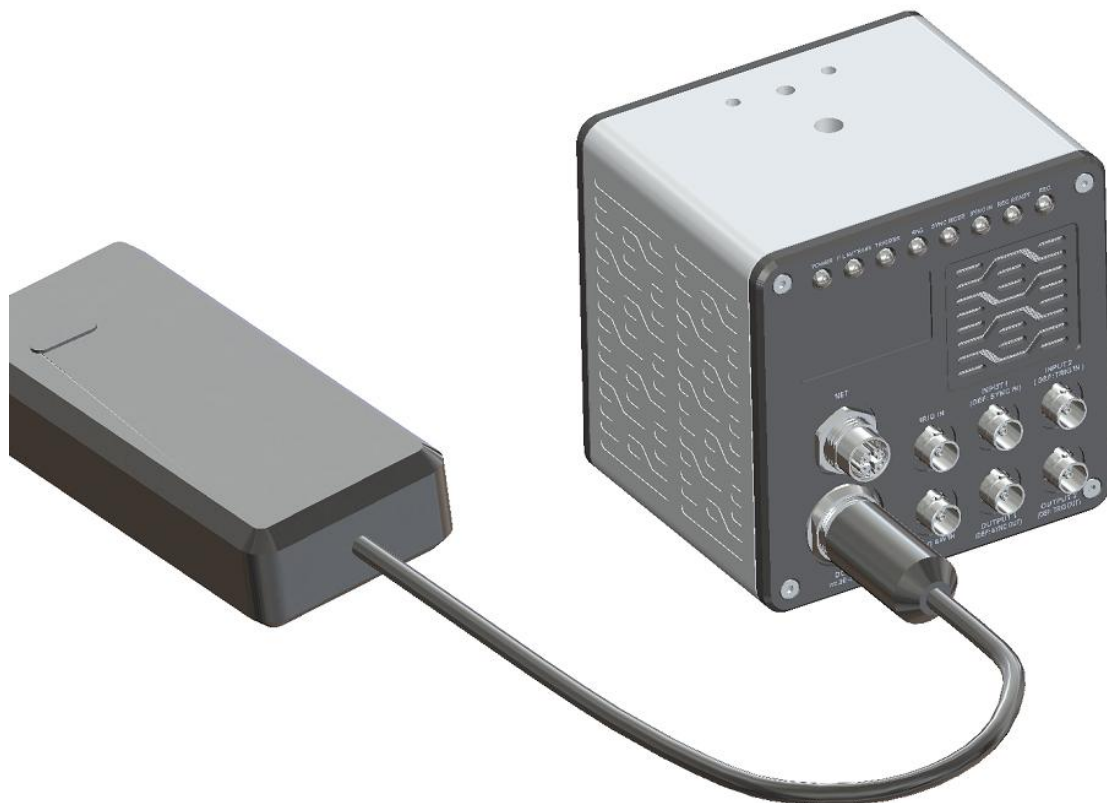
- The least device connection for using a camera is as follows.



1. Network cable (the network cable attached to this product).
2. Power adapter (the accessory adapter of this product).
3. The computer needs to install the FastPhoto software package, and the computer network card needs to support 1Gb or 10Gb types.

1.4.2 Connecting AC Power Supply

Connect the provided AC power supply device.



1. Connect the DC end of the power adapter to the "DC-IN (20-32V)" interface on the back of the camera.
2. Connect the AC end to the power outlet.

2

Chapter 2 Specifications

This chapter provides an overview of the system's specifications.

2.1.1. Camera Type and Specifications

For SH3 series cameras, there are monochrome and color versions, each with version options 16GB standard memory, 32GB, 64GB and 128GB high-capacity memory. When purchasing, you can choose from these versions according to your application or your own requirements. The versions and specifications of each model are as follows.

SH3-101

Model	SH3-101
Max. Resolution	1280×1024
Full Frame Rate	1000fps
Maximum Frame Rate	73000fps
Minimum Exposure Time	100ns
Exposure Frame Interval	210ns
Cell Size	14.6μm
Standard RAM	16GB, 32GB, 64GB, 128GB (Optional)
Extended Memory	1.2T, 2T, 4T (Optional)
Dynamic Range	60dB
Analog Gain	×2, ×4, ×8
Bit Depth	8bit/10bit/12bit
Shutte Mode	Global
Color	Monochrome (M) / Color (C)
ROI	Support
Lens Mount	E Port, adaptable to F Port, C Port, EF Port
Data Interface	10 Gigabit Ethernet, compatible with Gigabit Ethernet
Sensitivity	ISO56000(M), ISO21000(C)
Fan Control	Support turning on / off. Level 1-5
Operating Temperature/Humidity	Standard -10~50°C, below 95%(no condensation), customizable -40~65°C wide temperature range version
Recording Mode	Start, End, Center, Random, Manual
Trigger Mode	Manual, IO, Image
External Signal	Input: trigger (TTL/switch) signal, sync signal, trigger signal, IRIGB code signal. Output: trigger (TTL/switch) signal, sync signal, ready signal, exposing signal, recording signal.
Power Supply	DC 24V
Dimensions (excluding lens)	90D×110W×110H, excluding protrusion parts
Weight	1.8KG
Power Consumption	35W
Standard Accessories	Power cord×1, AC Adaptor×1, Network cable×1, Camera Control Software×1, Product Manual×1, Qualified Certificate×1

SH3-103

Model	SH3-103
Max. Resolution	1280×1024
Full Frame Rate	3000fps
Maximum Frame Rate	219000fps
Minimum Exposure Time	100ns
Exposure Frame Interval	210ns
Cell Size	14.6μm
Standard RAM	16GB, 32GB, 64GB, 128GB (Optional)
Extended Memory	1.2T, 2T, 4T (Optional)
Dynamic Range	60dB
Analog Gain	×2, ×4, ×8
Bit Depth	8bit/10bit/12bit
Shutte Mode	Global
Color	Monochrome (M) / Color (C)
ROI	Support
Lens Mount	E Port, adaptable to F Port, C Port, EF Port
Data Interface	10 Gigabit Ethernet, compatible with Gigabit Ethernet
Sensitivity	ISO56000(M), ISO21000(C)
Fan Control	Support turning on / off. Level 1-5
Operating Temperature/Humidity	Standard -10~50°C, below 95%(no condensation), customizable -40~65°C wide temperature range version
Recording Mode	Start, End, Center, Random, Manual
Trigger Mode	Manual, IO, Image
External Signal	Input: trigger (TTL/switch) signal, sync signal, trigger signal, IRIGB code signal. Output: trigger (TTL/switch) signal, sync signal, ready signal, exposing signal, recording signal.
Power Supply	DC 24V
Dimensions (excluding lens)	90D×110W×110H, excluding protrusion parts
Weight	1.8KG
Power Consumption	35W
Standard Accessories	Power cord×1, AC Adaptor×1, Network cable×1, Camera Control Software×1, Product Manual×1, Qualified Certificate×1

SH3-105

Model	SH3-105
Max. Resolution	1280×1024
Full Frame Rate	5000fps
Maximum Frame Rate	367000fps
Minimum Exposure Time	100ns
Exposure Frame Interval	210ns
Cell Size	14.6μm
Standard RAM	16GB, 32GB, 64GB, 128GB (Optional)
Extended Memory	1.2T, 2T, 4T (Optional)
Dynamic Range	60dB
Analog Gain	×2, ×4, ×8
Bit Depth	8bit/10bit/12bit
Shutte Mode	Global
Color	Monochrome (M) / Color (C)
ROI	Support
Lens Mount	E Port, adaptable to F Port, C Port, EF Port
Data Interface	10 Gigabit Ethernet, compatible with Gigabit Ethernet
Sensitivity	ISO56000(M), ISO21000(C)
Fan Control	Support turning on / off. Level 1-5
Operating Temperature/Humidity	Standard -10~50°C, below 95%(no condensation), customizable -40~65°C wide temperature range version
Recording Mode	Start, End, Center, Random, Manual
Trigger Mode	Manual, IO, Image
External Signal	Input: trigger (TTL/switch) signal, sync signal, trigger signal, IRIGB code signal. Output: trigger (TTL/switch) signal, sync signal, ready signal, exposing signal, recording signal.
Power Supply	DC 24V
Dimensions (excluding lens)	90D×110W×110H, excluding protrusion parts
Weight	1.8KG
Power Consumption	35W
Standard Accessories	Power cord×1, AC Adaptor×1, Network cable×1, Camera Control Software×1, Product Manual×1, Qualified Certificate×1

SH3-108

Model	SH3-108
-------	---------

Max. Resolution	1280×1024
Full Frame Rate	8000fps
Maximum Frame Rate	585000fps
Minimum Exposure Time	100ns
Exposure Frame Interval	210ns
Cell Size	14.6μm
Standard RAM	16GB, 32GB, 64GB, 128GB (Optional)
Extended Memory	1.2T, 2T, 4T (Optional)
Dynamic Range	60dB
Analog Gain	×2, ×4, ×8
Bit Depth	8bit/10bit/12bit
Shutte Mode	Global
Color	Monochrome (M) / Color (C)
ROI	Support
Lens Mount	E Port, adaptable to F Port, C Port, EF Port
Data Interface	10 Gigabit Ethernet, compatible with Gigabit Ethernet
Sensitivity	ISO56000(M), ISO21000(C)
Fan Control	Support turning on / off. Level 1-5
Operating Temperature/Humidity	Standard -10~50°C, below 95%(no condensation), customizable -40~65°C wide temperature range version
Recording Mode	Start, End, Center, Random, Manual
Trigger Mode	Manual, IO, Image
External Signal	Input: trigger (TTL/switch) signal, sync signal, trigger signal, IRIGB code signal. Output: trigger (TTL/switch) signal, sync signal, ready signal, exposing signal, recording signal.
Power Supply	DC 24V
Dimensions (excluding lens)	90D×110W×110H, excluding protrusion parts
Weight	1.8KG
Power Consumption	35W
Standard Accessories	Power cord×1, AC Adaptor×1, Network cable×1, Camera Control Software×1, Product Manual×1, Qualified Certificate×1

SH3-202

Model	SH3-202
Max. Resolution	1920×1080
Full Frame Rate	2000fps
Maximum Frame Rate	20000fps
Minimum Exposure Time	100ns
Exposure Frame Interval	280ns
Cell Size	7.8μm
Standard RAM	16GB, 32GB, 64GB, 128GB (Optional)
Extended Memory	1.2T, 2T, 4T (Optional)
Dynamic Range	60dB
Analog Gain	×2, ×4, ×8
Bit Depth	8bit/10bit/12bit
Shutte Mode	Global
Color	Monochrome (M) / Color (C)
ROI	Support
Lens Mount	E Port, adaptable to F Port, C Port, EF Port
Data Interface	10 Gigabit Ethernet, compatible with Gigabit Ethernet
Sensitivity	ISO23000(M), ISO8000(C)
Fan Control	Support turning on / off. Level 1-5
Operating Temperature/Humidity	Standard -10~50°C, below 95%(no condensation), customizable -40~65°C wide temperature range version
Recording Mode	Start, End, Center, Random, Manual
Trigger Mode	Manual, IO, Image
External Signal	Input: trigger (TTL/switch) signal, sync signal, trigger signal, IRIGB code signal. Output: trigger (TTL/switch) signal, sync signal, ready signal, exposing signal, recording signal.
Power Supply	DC 24V
Dimensions (excluding lens)	90D×110W×110H, excluding protrusion parts
Weight	1.8KG
Power Consumption	35W
Standard Accessories	Power cord×1, AC Adaptor×1, Network cable×1, Camera Control Software×1, Product Manual×1, Qualified Certificate×1

SH3-204

Model	SH3-204
Max. Resolution	1920×1080
Full Frame Rate	3600fps
Maximum Frame Rate	365000fps
Minimum Exposure Time	100ns
Exposure Frame Interval	280ns
Cell Size	7.8μm
Standard RAM	16GB, 32GB, 64GB, 128GB (Optional)
Extended Memory	/
Dynamic Range	60dB
Analog Gain	×2, ×4, ×8
Bit Depth	8bit/10bit/12bit
Shutte Mode	Global
Color	Monochrome (M) / Color (C)
ROI	Support
Lens Mount	E Port, adaptable to F Port, C Port, EF Port
Data Interface	10 Gigabit Ethernet, compatible with Gigabit Ethernet
Sensitivity	ISO23000(M), ISO8000(C)
Fan Control	Support turning on / off. Level 1-5
Operating Temperature/Humidity	Standard -10~50°C, below 95%(no condensation), customizable -40~65°C wide temperature range version
Recording Mode	Start, End, Center, Random, Manual
Trigger Mode	Manual, IO, Image
External Signal	Input: trigger (TTL/switch) signal, sync signal, trigger signal, IRIGB code signal. Output: trigger (TTL/switch) signal, sync signal, ready signal, exposing signal, recording signal.
Power Supply	DC 24V
Dimensions (excluding lens)	90D×110W×110H, excluding protrusion parts
Weight	1.8KG
Power Consumption	35W
Standard Accessories	Power cord×1, AC Adaptor×1, Network cable×1, Camera Control Software×1, Product Manual×1, Qualified Certificate×1

SH3-502

Model	SH3-502
Max. Resolution	2560×1920
Full Frame Rate	2000fps
Maximum Frame Rate	365000fps
Minimum Exposure Time	100ns
Exposure Frame Interval	280ns
Cell Size	7.8μm
Standard RAM	16GB, 32GB, 64GB, 128GB (Optional)
Extended Memory	/
Dynamic Range	60dB
Analog Gain	×2, ×4, ×8
Bit Depth	8bit/10bit/12bit
Shutte Mode	Global
Color	Monochrome (M) / Color (C)
ROI	Support
Lens Mount	E Port, adaptable to F Port, C Port, EF Port
Data Interface	10 Gigabit Ethernet, compatible with Gigabit Ethernet
Sensitivity	ISO23000(M), ISO8000(C)
Fan Control	Support turning on / off. Level 1-5
Operating Temperature/Humidity	Standard -10~50°C, below 95%(no condensation), customizable -40~65°C wide temperature range version
Recording Mode	Start, End, Center, Random, Manual
Trigger Mode	Manual, IO, Image
External Signal	Input: trigger (TTL/switch) signal, sync signal, trigger signal, IRIGB code signal. Output: trigger (TTL/switch) signal, sync signal, ready signal, exposing signal, recording signal.
Power Supply	DC 24V
Dimensions (excluding lens)	90D×110W×110H, excluding protrusion parts
Weight	1.8KG
Power Consumption	35W
Standard Accessories	Power cord×1, AC Adaptor×1, Network cable×1, Camera Control Software×1, Product Manual×1, Qualified Certificate×1

※ Some models of hard disk versions support real-time storage of restricted parameters. Please refer to the product manual for details.

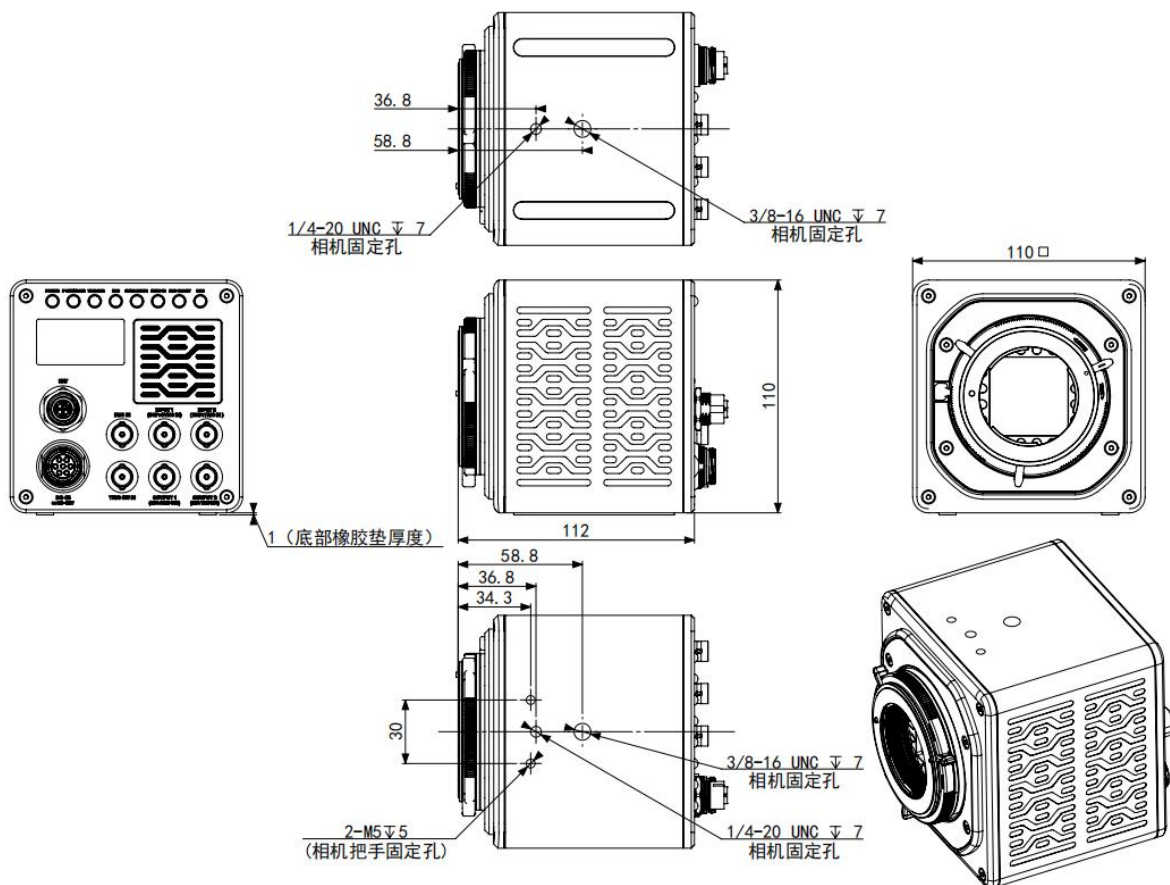
2.1.2. AC/DC Adapter

Manufacturer		Dongguan City Gangqi Electronics Co., Ltd.
Type		GQ120-2400500-E4
Rating	Input	AC100-240V, 50-60Hz, Max. 2A
	Output	DC24V, 5.0A
Dimensions		153.5(L) x 66.2(W) x 32.35(H)mm, excluding protrusion parts
Weight		556.4g

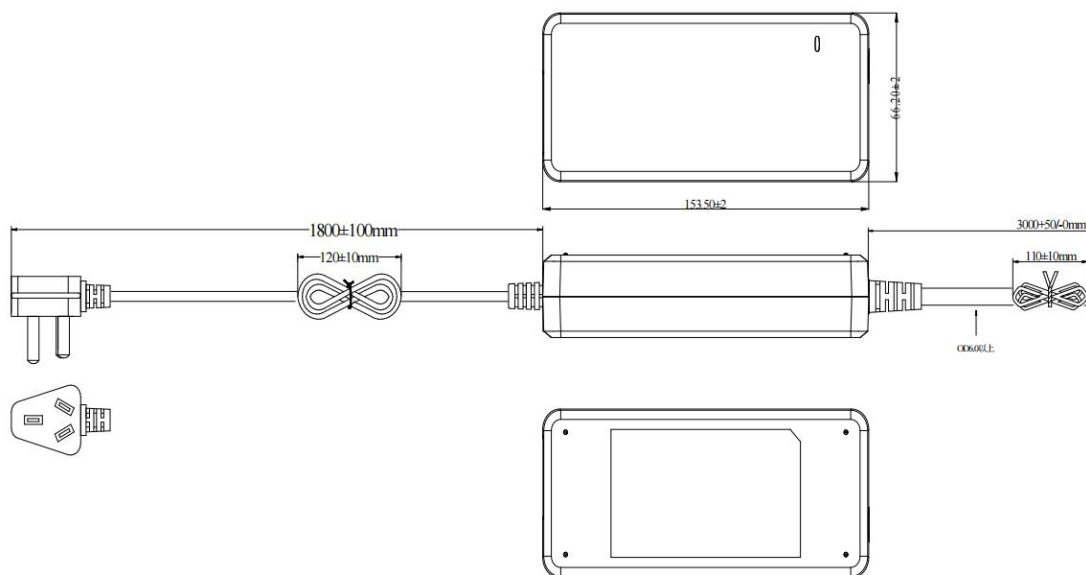
2.2. Dimensions

2.2.1. Dimensions of the Camera

3.2



2.2.2. Dimensions of the AC Power Supply Device



3

Chapter 3 Warranty

This chapter provides an overview of warranty.

3.1. About Warranty

This system has been rigorously tested at the factory. However, in case of failure due to manufacturing defects, it will be repaired free of charge during the warranty period.

■ Exceptions

The following exceptions will result in paid repairs, even within the warranty period.

1. Damage or failure caused by fire, earthquake, flood, lightning, other natural disasters, pollution or abnormal voltage.
2. Damage or malfunction or maloperation caused by falling or improper handling during transportation or moving after purchase.
3. Consumables (e.g. cables)
4. When the system is repaired, adjusted or replaced by an entity other than SSZN service, and subsequent damage or failure is caused by using the product.

Please contact the dealer from whom you purchased the product or the nearest SSZN office if you have any questions regarding malfunctions.



REFERENCE

For inquiries related to our products, please refer to "4.1 Contact Information".

4

Chapter 4 Contact SSZN

This chapter lists the contact information that should be used to contact SSZN when there is a system malfunction or when certain parts of the manual are unclear.

4.1. Contact Information

For inquiries about SH3 high-speed cameras, please contact SSZN through the following information. In addition, you are kindly required to verify and prepare the following items before the inquiry.

Items that need to be verified	Required information
Contact Information	Company, school, or organization name, contact person's name, contact phone number, contact email address.
Product name	SH3-10x\20x\50x
Product ID	Displayed at the nameplate seal.
The condition of the system, the description of the problem, and so on.	

Contact us	
The headquarters	SHENZHEN SINCEVISION TECHNOLOGY CO., LTD. Address: 5th Floor, Building 2, Chongwen Industrial Park, Nanshan Zhiyuan, Nanshan District, Shenzhen, China TEL: 0755-29655425, 4009660626 Website: www.cnsszn.com
Dongguan Office	Address: Room 406, Building F4, Tian'an Digital City, Nancheng District, Dongguan City, Guangdong Province, China
East China Office	Address: Room 1305, Building 7, Xiangyu Liang'an Trade Center, No.1588, Chuangye Road, Kunshan, Jiangsu Province, China
North China Office	Address: Unit 922, Building 4, Times Fortune World, Courtyard 1, Hangfeng Road, Fengtai District, Beijing, China
Southwest China Office	Address: Room 604, Block B, Yingchuang Interational Building, No. 66, Chuangzhi South 1st Road, Pidu District, Chengdu, China
Xi'an Office	Address: 601, Qujiang Chuangke Avenue, No. 2, Cuihua Road, Qujiang New Area, Changyanbao Street, Yanta District, Xi'an City, Shaanxi Province
Hefei Office	Address: C3-207, Phase I, Innovation Industry Park, High tech Zone, Hefei City